

PROFESSIONAL LOUDSPEAKER

IT18-1200



Specifications

General Specifications

Nominal diameter.....	457 mm/18 in
Power rating.....	1200 W(AES)
Nominal impedance.....	8Ω
Sensitivity.....	95 dB
Frequency range.....	35-200 Hz
Chassis type.....	Cast aluminum
Magnet type.....	Ferrite
Magnet weight.....	3.56 kg/125.7 oz
Voice coil diameter.....	101.6 mm/4.0 in
Coil material.....	SV-SQ
Former material.....	Glass fiber
Cone material.....	Paper
Surround material.....	Cloth
Suspension.....	Single
X-max.....	6.65 mm/0.26 in
Gap depth.....	12 mm/0.47 in
Voice coil winding width.....	25.3 mm/1.0 in
Net Weight.....	12.2 kg/26.9 lb
Packing Dimension WxDxH.....	505 x 505 x 260 mm
Shipping Weight.....	14.3 kg/31.5 lb

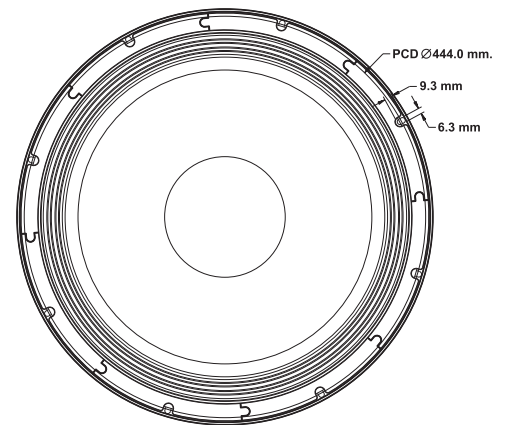
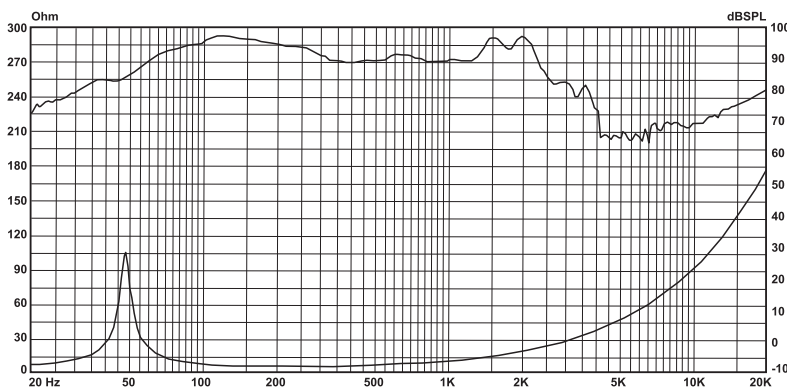
Small Signal Parameters

Re.....	5.2Ω
Fs.....	48 Hz
Mms.....	218.96 g/7.73 oz
Mmd.....	197.00 g/6.95 oz
Qms.....	12.05
Qes.....	0.57
Qts.....	0.55
Vas.....	89.31 lt/3.15 ft ³
SD.....	1134 cm ²
Bl.....	24.57 Tm
Cms.....	5.0e-05 m/N
Rms.....	5.48 Ns/m
Le (at 1kHz).....	1.42 mH

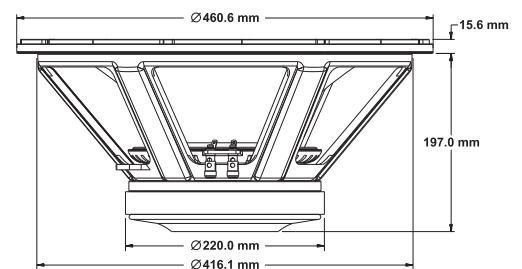
Features

- 18" Woofer
- 4" Inside-Outside Voice Coil
- 1200 Watts Power Handling
- Ferrite Magnet
- Die Cast Aluminum Chassis

Frequency Response and Impedance Curves



TOP VIEW



SIDE VIEW