

PROFESSIONAL LOUDSPEAKER

IT21-2000

Specifications

General Specifications

Nominal diameter.....	533 mm/21 in
Power rating.....	2000 W(AES)
Nominal impedance.....	8Ω
Sensitivity.....	94 dB
Frequency range.....	30-200 Hz
Chassis type.....	Cast aluminum
Magnet type.....	Ferrite
Magnet weight.....	4.43 kg/156.2 oz
Voice coil diameter.....	126 mm/5.0 in
Coil material.....	Copper wire
Former material.....	Glass fiber
Cone material.....	Paper
Surround material.....	Cloth
Suspension.....	Single
X-max.....	9 mm/0.35 in
Gap depth.....	14 mm/0.55 in
Voice coil winding width.....	32 mm/1.26 in
Net Weight.....	20.2 kg/44.5 lb
Packing Dimension WxDxH.....	615 x 615 x 370 mm
Shipping Weight.....	24.5 kg/54 lb

Small Signal Parameters

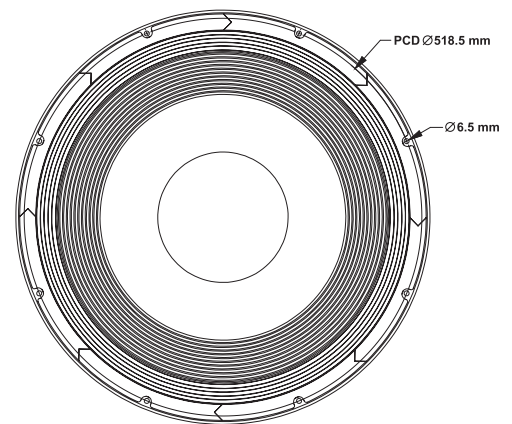
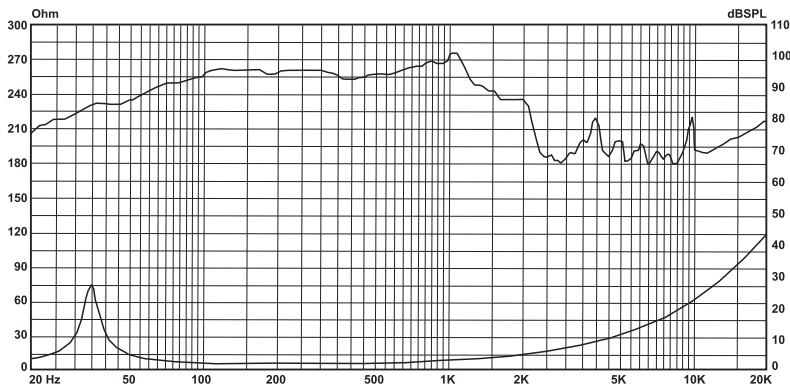
Re.....	5.6Ω
Fs.....	35 Hz
Mms.....	407.00 g/14.37 oz
Mmd.....	366.77 g/12.95 oz
Qms.....	7.91
Qes.....	0.63
Qts.....	0.58
Vas.....	206.59 lt/7.29 ft ³
SD.....	1698 cm ²
Bl.....	28.22 Tm
Cms.....	5.1e-05 m/N
Rms.....	11.35 Ns/m
Le (at 1kHz).....	0.96 mH



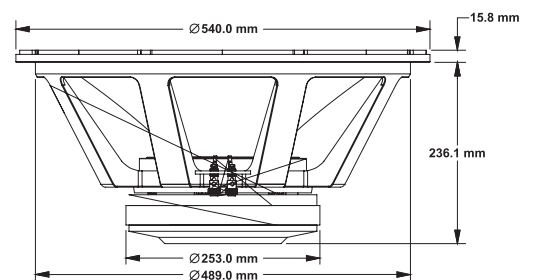
Features

- 21" Woofer
- 5" Inside-Outside Voice Coil
- 2000 Watts Power Handling
- Ferrite Magnet
- Die Cast Aluminum Chassis

Frequency Response and Impedance Curves



TOP VIEW



SIDE VIEW