

Pro-Tech Audio



SOUNDSTANDARD

AUDISTANDARD



AUDISTANDARD





SOUNDSTANDARD[®]

Founded in 1996, SOUNDSTANDARD, has always been pioneering the fabrication of professional power amplifier in China.

Being developed from a small workshop to be one of the largest manufacturer of professional power amplifier in China, SOUNDSTANDARD never compromises on our product quality and sound quality with the second to none R&D team and production system which is strict adhering to ISO9001:2008.

For 20 years, we have deployed advanced audio processing and digital transmission technology including Class AB, Class D and Class I on our products for various applications with high cost-effectiveness, high reliability and high consistency. SOUNDSTANDARD has been involved with reliable sound reinforcement system for stadium, arena, touring, night club, Disco and conference, setting sound standard as a benchmark in professional audio industry.

In 2009, SOUNDSTANDARD opened his new chapter with the completion of manufacture base located in Foshan. It is a milestone that SOUNDSTANDARD starts standardized production and management with World-class manufacturing plant, R&D center and advance-equipped laboratory, first class assembly lines and rigorous production and quality control.

As a top brand in professional audio market in China SOUNDSTANDARD is well recognized both in domestic and international market for our quality and services and with our unchanged belief: dedicated in producing standard sound for the world and being proud of "made in China".



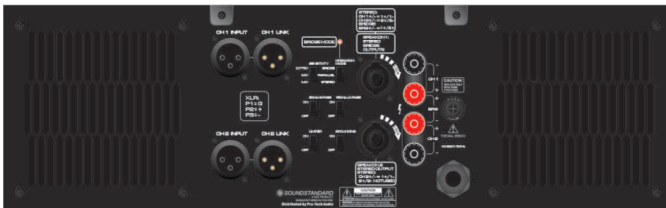
POWER AMPLIFIER



Max Series



| Model | MAX4800 | MAX7200 | MAX7800 |
|----------------------------|---|---------|---------|
| Output Power | (AC 220V / 50Hz. ±10%, All channels driven output power, THD=1%) | | |
| 8Ω Stereo* | 830Wx2 | 1100Wx2 | 1300Wx2 |
| 4Ω Stereo* | 1250Wx2 | 1725Wx2 | 2025Wx2 |
| 2Ω Stereo* | 1850Wx2 | 2300Wx2 | 2700Wx2 |
| 8Ω Bridge* | 2500W | 3450W | 4050W |
| 4Ω Bridge* | 3700W | 4600W | 5400W |
| Other Specification | | | |
| Frequency Response | 20Hz-20KHz (±0.5dB) | | |
| Damping Factor | >500@8Ω | | |
| Input Sensitivity | 0.775 Vms/1.0Vms/1.4Vms | | |
| Output Circuitry | 3 Steps Class H | | |
| Protection | Clip/limit, DC, short circuit, switch on/off zero impact, soft start, VHF | | |



POWER AMPLIFIER



CA-G Series



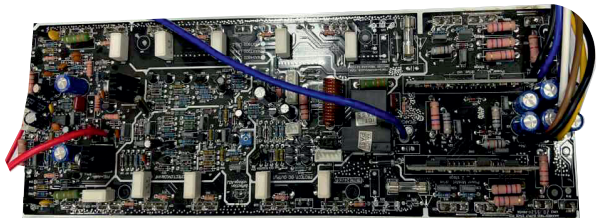
| Model | CA12G | CA18G | CA20G |
|---------------------|--|---------|---------|
| Output Power | (AC 220V / 50Hz. ±10%, All channels driven output power, THD=1%) | | |
| 8Ω Stereo* | 830Wx2 | 1100Wx2 | 1300Wx2 |
| 4Ω Stereo* | 1250Wx2 | 1725Wx2 | 2025Wx2 |
| 2Ω Stereo* | 1850Wx2 | 2300Wx2 | 2700Wx2 |
| 8Ω Bridge* | 2500W | 3450W | 4050W |
| 4Ω Bridge* | 3700W | 4600W | 5400W |

Other Specification

| | |
|--------------------|---|
| Frequency Response | 20Hz-20KHz (±0.5dB) |
| Damping Factor | >500@8Ω |
| Input Sensitivity | 0.775 Vms/1.0Vms/1.4Vms |
| Output Circuitry | 3 Steps Class H |
| Protection | Clip/limit, DC, short circuit, switch on/off zero impact, soft start, VHF |

BEWARE

Original Soundstandard Amplifier comes with black colour module



POWER AMPLIFIER



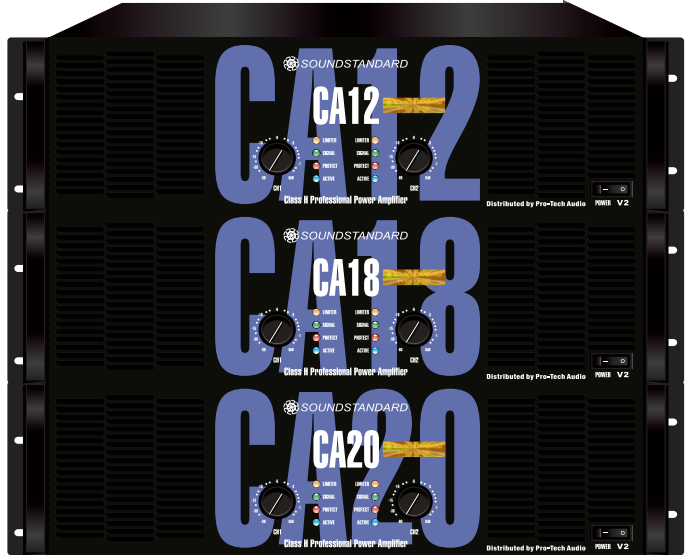
CAV2 Series


BEWARE OF FAKES


COMPANY'S HOLOGRAM

POWER V2
 WRITTEN NEAR POWER SWITCH


 LOGO ENGRAVED ON SIDE PANEL



| Model | CA9V2 | CA12V2 | CA18V2 | CA20V2 |
|---------------------|--|---------|---------|---------|
| Output Power | (AC 220V / 50Hz. ±10%, All channels driven output power, THD=1%) | | | |
| 8Ω Stereo* | 650Wx2 | 830Wx2 | 1100Wx2 | 1300Wx2 |
| 4Ω Stereo* | 975Wx2 | 1250Wx2 | 1725Wx2 | 2025Wx2 |
| 2Ω Stereo* | 1400Wx2 | 1850Wx2 | 2300Wx2 | 2700Wx2 |
| 8Ω Bridge* | 1950W | 2500W | 3450W | 4050W |
| 4Ω Bridge* | 2600W | 3700W | 4600W | 5400W |

Other Specification

| | |
|--------------------|---|
| Frequency Response | 20Hz-20KHz (±0.5dB) |
| Damping Factor | >500@8Ω |
| Input Sensitivity | 0.775 Vms/1.0Vms/1.4Vms |
| Output Circuitry | 3 Steps Class H |
| Protection | Clip/limit, DC, short circuit, switch on/off zero impact, soft start, VHF |

BEWARE

Original Soundstandard Amplifier comes with black colour module



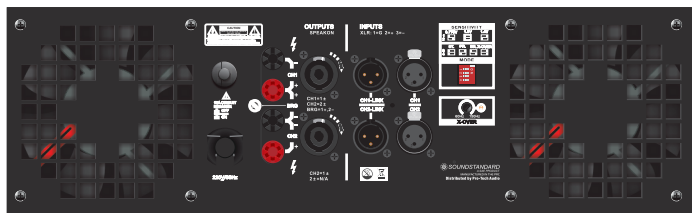
POWER AMPLIFIER



CA A6 Series



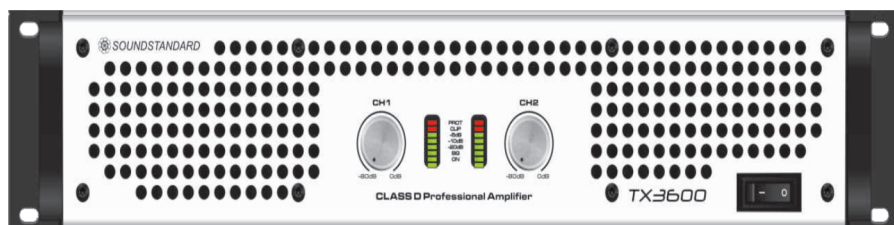
| Model | CA 12 A6 | CA 18 A6 | CA 20 A6 |
|----------------------------|--|----------|----------|
| Output Power | (AC 220V / 50Hz. ±10%, All channels driven output power, THD=1%) | | |
| 8Ω Stereo* | 830Wx2 | 1500Wx2 | 2000Wx2 |
| 4Ω Stereo* | 1200Wx2 | 2500Wx2 | 3200Wx2 |
| 2Ω Stereo* | 1700Wx2 | 3300Wx2 | 4200Wx2 |
| 8Ω Bridge* | 2400W | 5000W | 6400W |
| 4Ω Bridge* | 3400W | 6000W | 7200W |
| Other Specification | | | |
| Frequency Response | 20Hz-20KHz (+0/-1.5dB) | | |
| Damping Factor | ≥900 | | |
| Input Sensitivity | 0.775V/1.0V/1.4V | | |
| Output Circuitry | Class I™ | | |
| Protection | Soft start, VHF, DC, short circuit, over load, clip limit, over heat, progressive volume | | |



POWER AMPLIFIER



TX Series



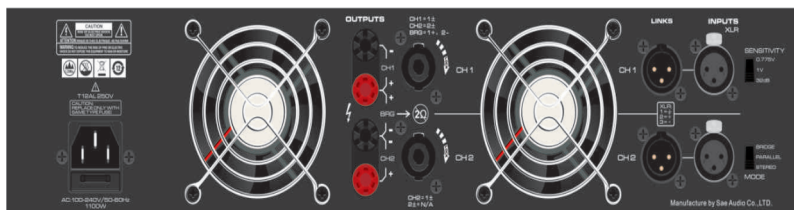
| Model | TX 2400 | TX 3600 |
|-------|---------|---------|
|-------|---------|---------|

Output Power (AC 220V / 50Hz. ±10%, All channels driven output power, THD=1%)

| | | |
|------------|---------|---------|
| 8Ω Stereo* | 700Wx2 | 1000Wx2 |
| 4Ω Stereo* | 1250Wx2 | 1750Wx2 |
| 2Ω Stereo* | 1600Wx2 | 2250Wx2 |
| 8Ω Bridge* | 2500W | 3500W |
| 4Ω Bridge* | 3200W | 4500W |

Other Specification

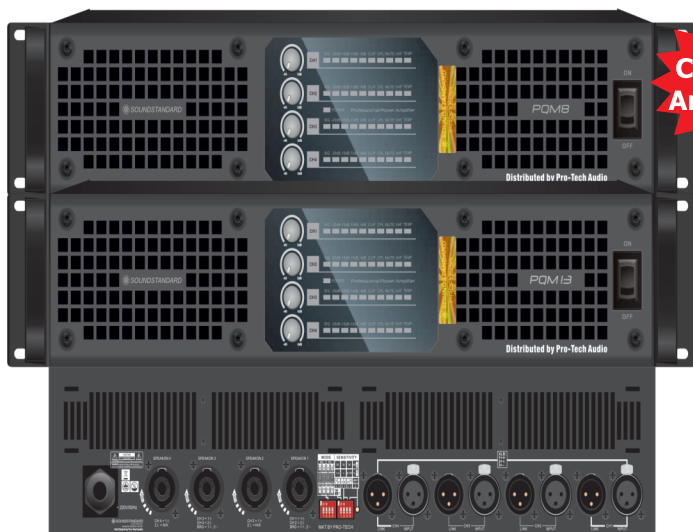
| | |
|--------------------|--|
| Frequency Response | 20Hz-20KHz (+0/-1dB) |
| Damping Factor | ≥600 |
| Input Sensitivity | 0.775V/1.0V/32dB |
| Output Circuitry | Class D |
| Protection | Soft start, VHF, DC, short circuit, over load, clip limit, over heat, progressive volume |



POWER AMPLIFIER



PQM Series



4
Channel
Amplifier

| Model | PQM8 | PQM13 |
|-----------------------------|---|---------|
| Output Power | | |
| 8Ω Stereo* | 800Wx4 | 1300Wx4 |
| 4Ω Stereo** | 1400Wx4 | 2100Wx4 |
| 2Ω Stereo** | 1600Wx4 | 2500Wx4 |
| 8Ω Bridge** | 2800Wx2 | 4200Wx2 |
| 4Ω Bridge** | 3200Wx2 | 5000Wx2 |
| Other Specification | | |
| Frequency Response | 20Hz-20KHz (+0/-1.5dB) | |
| THD + N | ≤0.05% | |
| S/N Rate | ≥80dB | |
| Damping Factor | ≥900 | |
| Crosstalk | ≥65dB | |
| Slew Rate | ≥10V/μs | |
| Input Sensitivity | 0.775V/1V/1.4V/38dB/32dB/26dB | |
| Input Impedance (Bal/Unbal) | 20kΩ/10kΩ | |
| Voltage Gain (8 OHM) | 40.3dB | |
| Output Circuitry | Class I™ | |
| Cooling Protection | Air flow from front to rear Soft start, VHF, DC, short circuit, over load, clip limit, peak current limit over heat, progressive volume | |
| Connection | | |
| Input | Balance input XLR-F, Balance output XLR-M | |
| Output | N/4 Speakon | |
| Function | | |
| Front Panel Indicator | Working state, voltage, clip limit, peak current limit, VHF, temp | |
| Rear Panel Indicator | dB/V selector indicator | |
| Front Panel | Power switch, Volume control | |
| Rear Panel | Stereo/Parallel/Bridge mode selector switch, sensitivity selector switch | |



VP Series Specifications

| MODEL | VP 6000 | VP 8000 | VP 12000 |
|--------------------|-------------------|-------------------|-------------------|
| 8Ω Stereo* | 2x1250w | 2x1350w | 2x2200w |
| 4Ω Stereo* | 2x2000w | 2x2250w | 2x3600w |
| 2Ω Stereo** | 2x2500w | 2x2600w | 2x4000w |
| 8Ω Bridge* | 4000w | 4500w | 7000w |
| 4Ω Bridge* | 5000w | 5400w | 7800w |
| Output Circuitry | Class H | Class H | Class H |
| Frequency Response | 20HZ-24KHZ+0/-1dB | 20HZ-24KHZ+0/-1dB | 20HZ-24KHZ+0/-1dB |
| Input Sensitivity | 0.75V/1.0/1.4V | 0.75V/1.0/1.4V | 0.75V/1.0/1.4V |
| Input Impedance | 20KΩ | 20KΩ | 20KΩ |
| Cross Talk | <62dB 8Ω 1Khz | <62dB 8Ω 1Khz | <62dB 8Ω 1Khz |
| Damping Factor | >900 | >1100 | >1300 |
| THD % | 0.05%@8Ω | 0.05%@8Ω | 0.05%@8Ω |
| Rank Space | 3U | 3U | 3U |
| Gross Weight | 42KG | 43KG | 45KG |

* Music status test

Amplifiers are thoroughly tested to be safely approved for all audio applications.

POWER AMPLIFIER

AUDIOSTANDARD®
P.Amplifier

XT | Series



MODEL

XT 4002

XT 5002

XT 7002

8Ω Stereo*

830Wx2

1100Wx2

1250Wx2

4Ω Stereo*

1250Wx2

1750Wx2

2050Wx2

2Ω Stereo**

1850Wx2

2300Wx2

2700Wx2

8Ω Bridge*

2500W

3300W

3900W

4Ω Bridge*

3700W

4600W

5400W

Output Circuitry

Class H

Class H

Class H

Frequency Response

20HZ-24KHZ+0/-1dB

20HZ-24KHZ+0/-1dB

20HZ-24KHZ+0/-1dB

Input Sensitivity

0.75V/1.0/1.4V

0.75V/1.0/1.4V

0.75V/1.0/1.4V

Damping Factor

>800

>1000

>1100

THD %

0.05%@8Ω

0.05%@8Ω

0.05%@8Ω

POWER AMPLIFIER

AUDIO STANDARD®
P.Amplifier

MT Series



MODEL

MT 1201

MT 1601

| | | |
|-------------|---------|---------|
| 8Ω Stereo* | 1350Wx2 | 1700Wx2 |
| 4Ω Stereo* | 1850Wx2 | 2250Wx2 |
| 2Ω Stereo** | 2500Wx2 | 3000Wx2 |
| 8Ω Bridge* | 3700W | 4200W |
| 4Ω Bridge** | 4800W | 5200W |

Other Specification

| | | |
|------------------|-----------------|-----------------|
| Damping Factor | >800 | >1000 |
| Output Circuitry | 3 Steps Class H | 3 Steps Class H |

POWER AMPLIFIER

AUDIO STANDARD®
P.Amplifier

MT Series



MODEL

MT 4500

MT 5500

MT 6500

| | | | |
|-------------|---------|---------|---------|
| 8Ω Stereo* | 800Wx2 | 1350Wx2 | 1700Wx2 |
| 4Ω Stereo* | 1200Wx2 | 1850Wx2 | 2250Wx2 |
| 2Ω Stereo** | 1600Wx2 | 2500Wx2 | 3000Wx2 |
| 8Ω Bridge* | 2200W | 3700W | 4200W |
| 4Ω Bridge** | 2900W | 4800W | 5400W |

Other Specification

| | | | |
|------------------|-----------------|-----------------|-----------------|
| Damping Factor | >600 | >800 | >1000 |
| Output Circuitry | 3 Steps Class H | 3 Steps Class H | 3 Steps Class H |

POWER AMPLIFIER

AUDIOSTANDARD®
P.Amplifier

SS Series



MODEL

SS 6000

SS 9000

| | | |
|-------------|---------|---------|
| 8Ω Stereo* | 700Wx2 | 900Wx2 |
| 4Ω Stereo* | 1150Wx2 | 1400Wx2 |
| 2Ω Stereo** | 1500Wx2 | 1850Wx2 |
| 8Ω Bridge* | 2000W | 2400W |
| 4Ω Bridge** | 2800W | 3400W |

Other Specification

| | | |
|------------------|-----------------|-----------------|
| Damping Factor | >500 | >600 |
| Output Circuitry | 3 Steps Class H | 3 Steps Class H |

POWER AMPLIFIER

AUDIOSTANDARD®
P.Amplifier

RX Series



MODEL

8Ω Stereo*
4Ω Stereo*
2Ω Stereo**
8Ω Bridge*
4Ω Bridge**

RX 3000

500Wx2
800Wx2
1250Wx2
1500W
2300W

RX 4000

700Wx2
1150Wx2
1550Wx2
2000W
2800W

Other Specification

Damping Factor
Output Circuitry

>500
2 Steps Class H

>600
2 Steps Class H

POWER AMPLIFIER

AUDIO STANDARD®
P.Amplifier

DP Series

DP-5000



DP-6000



MODEL

8Ω Stereo*
4Ω Stereo*
8Ω Bridge*
4Ω Bridge*
Output Circuitry
Input Sensitivity
Input Impedance
Cross Talk
Damping Factor
THD + (20Hz-20KHz)
Power Requirements

DP 5000

500Wx2
750Wx2
900W
1200W
Class D
0.75V/1.0/1.4V
20KΩ
>80dB 8Ω 1KHz
(1KHz/8Ω:>300
<0.1%20Hz-20KHz
90v-250v, 50Hz

DP 6000

800Wx2
1200Wx2
1600W
2400W
Class D
0.75V/1.0/1.4V
20KΩ
>80dB 8Ω 1KHz
(1KHz/8Ω:>600
<0.1%20Hz-20KHz

Amplifiers protection short circuit, thermal, over load, clip limiter, DC voltage, soft start, ultrasonic and RF protection

POWER AMPLIFIER

AUDIO STANDARD®
P.Amplifier

DP Series

DP-10000



DP-12000



DP Series Specifications

MODEL

8Ω Stereo*
4Ω Stereo*
8Ω Bridge*
4Ω Bridge*
Output Circuitry
Input Sensitivity
Input Impedance
Cross Talk
Damping Factor
THD %
Power Requirements

DP 10000

500Wx4
750Wx4
900Wx2
1200Wx2
Class D
0.75V/1.0/1.4V
20KΩ
>80dB 8Ω 1KHz
(1KHz/8Ω:>300
<0.05%
90v-250v, 50Hz

DP 12000

800Wx4
1200Wx4
1600Wx2
2400Wx2
Class D
0.75V/1.0/1.4V
20KΩ
>80dB 8Ω 1KHz
>(1KHz/8Ω:>600
0.05%

Amplifiers protection short circuit, thermal, over load, clip limiter, DC voltage, soft start, ultrasonic and RF protection



DP-8000 DSP



MODEL

DP 8000 DSP

| | |
|--------------------|-----------------------------|
| 8Ω Stereo* | 2x500w |
| 4Ω Stereo* | 2x750w |
| 8Ω Bridge* | 900w |
| 4Ω Bridge* | 1200w |
| Output Circuitry | Class D |
| Frequency Response | 20Hz-20KHz+0/-2.5dB at watt |
| Input Sensitivity | 0.75V/1.0/1.4V |
| Input Impedance | 20KΩ |
| Cross Talk | >80dB 8Ω 1KHz |
| Damping Factor | (1KHz/8Ω:>300 |
| THD +(20Hz-20KHz) | <0.1%20Hz-20KHz |
| Slew Rate | >28V/us |
| Power Requirements | 90v-250v, 50Hz |

Amplifiers protection short circuit, thermal, over load, clip limiter, DC voltage, soft start, ultrasonic and RF protection

GT10-400



- **3" Outside Voice Coil**
- **400 Watts RMS Power**
- **Ferrite Magnet**

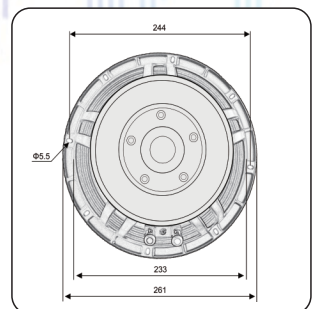
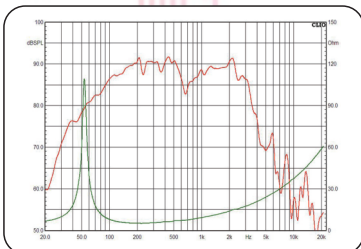


SPECIFICATIONS

Nominal Diameter : 254/10 mm/in
Nominal Impedance : 8 Ω
Power Handling : 400 W
Sensitivity (1W/1m) : 94 dB
Frequency Range : 51 - 2000 Hz
Voice Coil Diameter : 75.5 mm
Voice Coil Material : EISV
Kind of Layer : Outside
Magnet Outer Diameter : 180 mm
Magnet Material : Ferrite

INSTALLATION INFORMATION

Overall Diameter : 261 mm
Baffle Cutout Diameter : 233 mm
Boit Circle Diameter : 244x8- Φ 5.5
Flange And Gasket Thickness : 16 mm
Overall Depth : 120 mm
Net Weight : 4.2 KG



GT12-400



- **3.5" In-Out Voice Coil**
- **400 Watts RMS Power**
- **Ferrite Magnet**

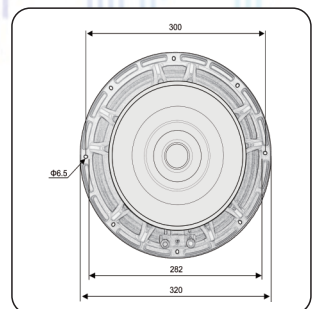
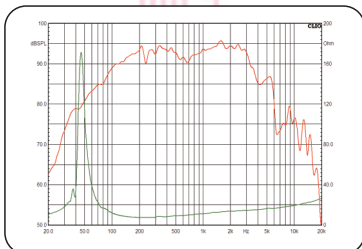


SPECIFICATIONS

Nominal Diameter : 305/12 mm/in
Nominal Impedance : 8 Ω
Power Handling : 400 W
Sensitivity (1W/1m) : 96.7 dB
Frequency Range : 45 - 3500 Hz
Voice Coil Diameter : 86 mm
Voice Coil Material : CCAW
Kind of Layer : Inside / Outside
Magnet Outer Diameter : 200 mm
Magnet Material : Ferrite

INSTALLATION INFORMATION

Overall Diameter : 320 mm
Baffle Cutout Diameter : 282 mm
Boit Circle Diameter : 300x8- Φ 6.5
Flange And Gasket Thickness : 15 mm
Overall Depth : 150 mm
Net Weight : 7.8 KG



GT12-800



- 4" In-Out Voice Coil
- 800 Watts RMS Power
- Ferrite Magnet

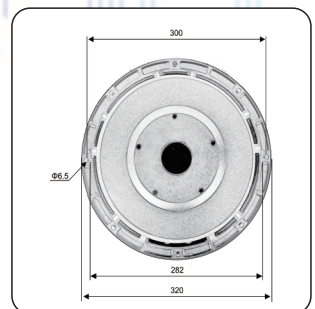
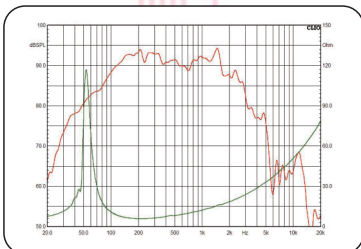


SPECIFICATIONS

Nominal Diameter : 305/12 mm/in
Nominal Impedance : 8 Ω
Power Handling : 800 W
Sensitivity (1W/1m) : 97.3 dB
Frequency Range : 53 - 1500 Hz
Voice Coil Diameter : 99.5 mm
Voice Coil Material : EISV
Kind of Layer : Inside / Outside
Magnet Outer Diameter : 220 mm
Magnet Material : Ferrite

INSTALLATION INFORMATION

Overall Diameter : 320 mm
Baffle Cutout Diameter : 282 mm
Boit Circle Diameter : 300x8- Φ 6.5
Flange And Gasket Thickness : 15 mm
Overall Depth : 159 mm
Net Weight : 11.3 KG



GT15-400



- **3.5" In-Out Voice Coil**
- **400 Watts RMS Power**
- **Ferrite Magnet**

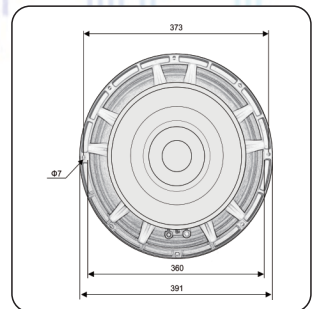
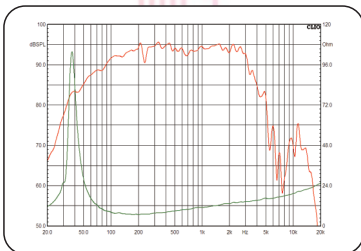


SPECIFICATIONS

Nominal Diameter : 381/15 mm/in
Nominal Impedance : 8 Ω
Power Handling : 400 W
Sensitivity (1W/1m) : 97.5 dB
Frequency Range : 37 - 3000 Hz
Voice Coil Diameter : 86 mm
Voice Coil Material : CCAW
Kind of Layer : Inside / Outside
Magnet Outer Diameter : 200 mm
Magnet Material : Ferrite

INSTALLATION INFORMATION

Overall Diameter : 391 mm
Baffle Cutout Diameter : 360 mm
Boit Circle Diameter : 373x8- Φ 7
Flange And Gasket Thickness : 17 mm
Overall Depth : 170 mm
Net Weight : 8.5 KG



GT-2226



- 4" In-Out Voice Coil
- 800 Watts RMS Power
- Ferrite Magnet

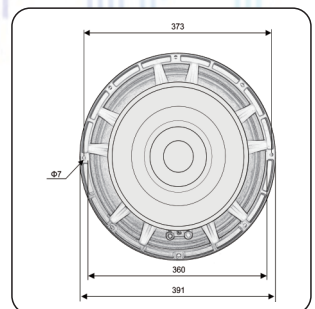
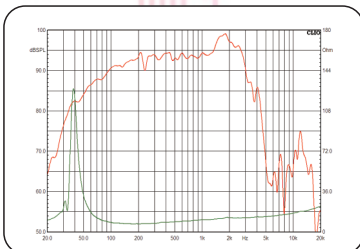


SPECIFICATIONS

Nominal Diameter : 381/15 mm/in
Nominal Impedance : 8 Ω
Power Handling : 800 W
Sensitivity (1W/1m) : 96.7 dB
Frequency Range : 38 - 2800 Hz
Voice Coil Diameter : 99.5 mm
Voice Coil Material : CCAW
Kind of Layer : Inside / Outside
Magnet Outer Diameter : 220 mm
Magnet Material : Ferrite

INSTALLATION INFORMATION

Overall Diameter : 391 mm
Baffle Cutout Diameter : 360 mm
Boit Circle Diameter : 373x8- Φ 7
Flange And Gasket Thickness : 18 mm
Overall Depth : 170 mm
Net Weight : 9.8 KG



GT15-1200



- 4" In-Out Voice Coil
- 1200 Watts RMS Power
- Double Ferrite Magnet

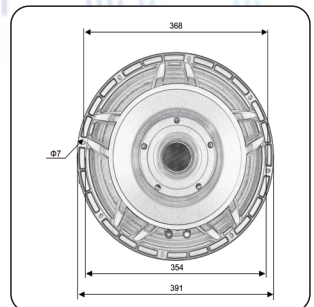
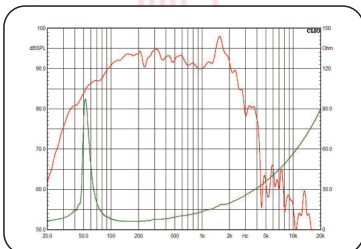


SPECIFICATIONS

Nominal Diameter : 381/15 mm/in
Nominal Impedance : 8 Ω
Power Handling : 1200 W
Sensitivity (1W/1m) : 96.7 dB
Frequency Range : 52 - 2000 Hz
Voice Coil Diameter : 99.5 mm
Voice Coil Material : EISV
Kind of Layer : Inside / Outside
Magnet Outer Diameter : 220 mm *2
Magnet Material : Ferrite

INSTALLATION INFORMATION

Overall Diameter : 391 mm
Baffle Cutout Diameter : 354 mm
Boit Circle Diameter : 368x8- Φ 7
Flange And Gasket Thickness : 15 mm
Overall Depth : 198 mm
Net Weight : 14 KG



GT18TBW-100



- **4" In-Out Voice Coil**
- **1200 Watts RMS Power**
- **Ferrite Magnet**

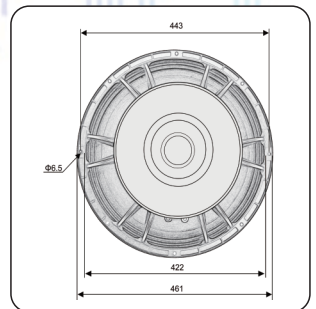
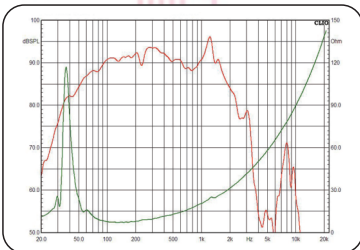


SPECIFICATIONS

Nominal Diameter : 457/18 mm/in
Nominal Impedance : 8 Ω
Power Handling : 1600 W
Sensitivity (1W/1m) : 96.6 dB
Frequency Range : 36 - 2000 Hz
Voice Coil Diameter : 99.5 mm
Voice Coil Material : PISV
Kind of Layer : Inside / Outside
Magnet Outer Diameter : 220 mm
Magnet Material : Ferrite

INSTALLATION INFORMATION

Overall Diameter : 461 mm
Baffle Cutout Diameter : 422 mm
Boit Circle Diameter : 443x8- Φ 6.5
Flange And Gasket Thickness : 17 mm
Overall Depth : 248 mm
Net Weight : 14.9 KG



GT18TBW-115



- **4.5" In-Out Voice Coil**
- **1600 Watts RMS Power**
- **Ferrite Magnet**

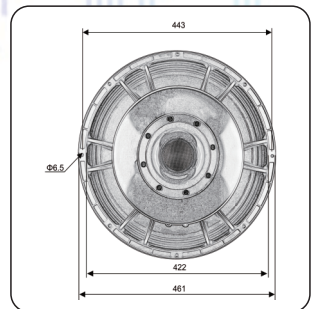
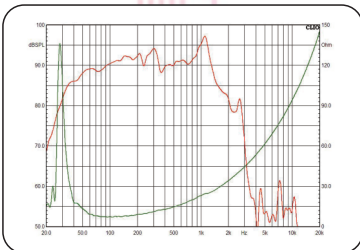


SPECIFICATIONS

Nominal Diameter : 457/18 mm/in
Nominal Impedance : 8 Ω
Power Handling : 1800 W
Sensitivity (1W/1m) : 95.1 dB
Frequency Range : 28 - 1200 Hz
Voice Coil Diameter : 114.5 mm
Voice Coil Material : EISV
Kind of Layer : Inside / Outside
Magnet Outer Diameter : 220 mm
Magnet Material : Ferrite

INSTALLATION INFORMATION

Overall Diameter : 461 mm
Baffle Cutout Diameter : 422 mm
Boit Circle Diameter : 443x8- Φ 6.5
Flange And Gasket Thickness : 17 mm
Overall Depth : 241 mm
Net Weight : 15.3 KG



GT18X-451



- **4.5" In-Out Voice Coil**
- **1600 Watts RMS Power**
- **Ferrite Magnet**

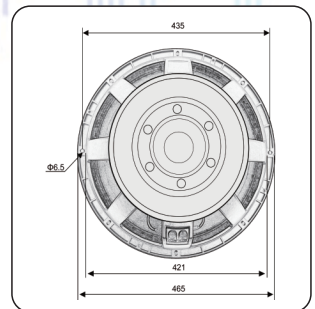
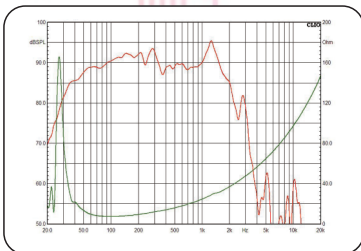


SPECIFICATIONS

Nominal Diameter : 457/18 mm/in
Nominal Impedance : 8 Ω
Power Handling : 1800 W
Sensitivity (1W/1m) : 96.2 dB
Frequency Range : 27 - 1200 Hz
Voice Coil Diameter : 114.5 mm
Voice Coil Material : EISV
Kind of Layer : Inside / Outside
Magnet Outer Diameter : 253 mm
Magnet Material : Ferrite

INSTALLATION INFORMATION

Overall Diameter : 465 mm
Baffle Cutout Diameter : 421 mm
Boit Circle Diameter : 435x8- Φ 6.5
Flange And Gasket Thickness : 20 mm
Overall Depth : 211 mm
Net Weight : 15.5 KG



GT-1852 CHROME



- 5" In-Out Voice Coil
- 2000 Watts RMS Power
- Chrome Ferrite Magnet

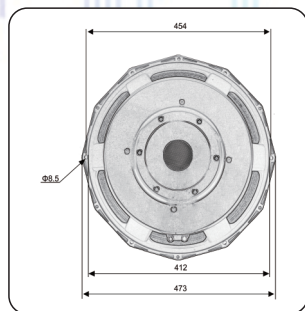
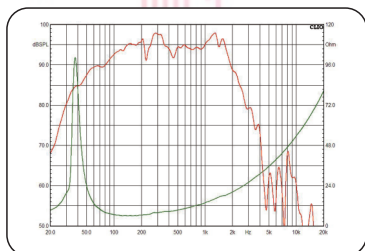


SPECIFICATIONS

Nominal Diameter : 457/18 mm/in
Nominal Impedance : 8 Ω
Power Handling : 2000 W
Sensitivity (1W/1m) : 96.8 dB
Frequency Range : 37 - 1000 Hz
Voice Coil Diameter : 125 mm
Voice Coil Material : EISV
Kind of Layer : Inside / Outside
Magnet Outer Diameter : 280 mm
Magnet Material : Ferrite

INSTALLATION INFORMATION

Overall Diameter : 473 / 458 mm
Baffle Cutout Diameter : 412 mm
Boit Circle Diameter : 454x6- Φ 8.5
Flange And Gasket Thickness : 19 mm
Overall Depth : 206 mm
Net Weight : 21.8 KG



GT1852/2



- 5" In-Out Voice Coil
- 2000 Watts RMS Power
- Ferrite Magnet

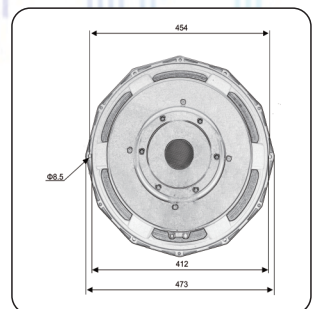
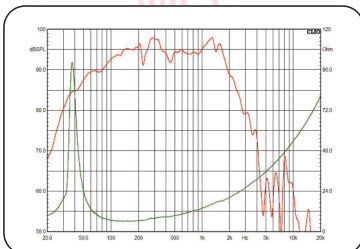


SPECIFICATIONS

Nominal Diameter : 457/18 mm/in
Nominal Impedance : 8 Ω
Power Handling : 2000 W
Sensitivity (1W/1m) : 96.8 dB
Frequency Range : 37 - 1000 Hz
Voice Coil Diameter : 125 mm
Voice Coil Material : EISV
Kind of Layer : Inside / Outside
Magnet Outer Diameter : 280 mm
Magnet Material : Ferrite

INSTALLATION INFORMATION

Overall Diameter : 473 / 458 mm
Baffle Cutout Diameter : 412 mm
Boit Circle Diameter : 454x6- Φ 8.5
Flange And Gasket Thickness : 19 mm
Overall Depth : 206 mm
Net Weight : 21.8 KG



GT-1857



- 5" In-Out Voice Coil
- 2000 Watts RMS Power
- Double Ferrite Magnet

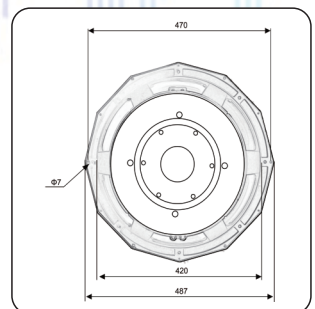
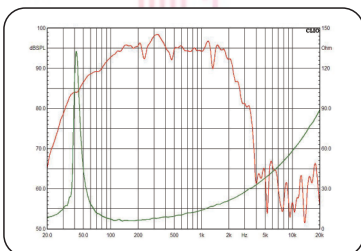


SPECIFICATIONS

Nominal Diameter : 457/18 mm/in
Nominal Impedance : 8 Ω
Power Handling : 2000 W
Sensitivity (1W/1m) : 97.9 dB
Frequency Range : 41 - 1000 Hz
Voice Coil Diameter : 125 mm
Voice Coil Material : CCAW
Kind of Layer : Inside / Outside
Magnet Outer Diameter : 280 mm *2
Magnet Material : Ferrite

INSTALLATION INFORMATION

Overall Diameter : 487 / 472 mm
Baffle Cutout Diameter : 420 mm
Boit Circle Diameter : 470x6- Φ 7
Flange And Gasket Thickness : 17 mm
Overall Depth : 214 mm
Net Weight : 24.8 KG



GT-21



- **6" In-Out Voice Coil**
- **3000 Watts RMS Power**
- **Ferrite Magnet**

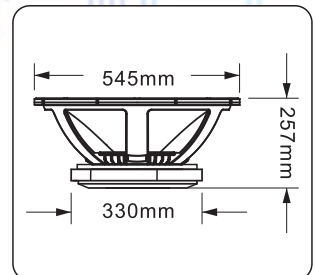
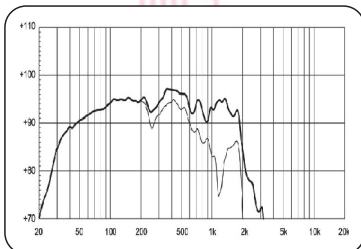


SPECIFICATIONS

Nominal Diameter : 545/21 mm/in
Nominal Impedance : 8 Ω
Power Handling : 3000 W
Sensitivity (1W/1m) : 98 dB
Frequency Range : 28 - 730 Hz
Voice Coil Diameter : 153 mm
Voice Coil Material : CCAW
Kind of Layer : Inside / Outside
Magnet Outer Diameter : 295 mm
Magnet Material : Ferrite

INSTALLATION INFORMATION

Overall Diameter : 487 / 472 mm
Baffle Cutout Diameter : 440 mm
Overall Depth : 215 mm
Net Weight : 41 KG



GT8N-250



Neodymium
Magnet



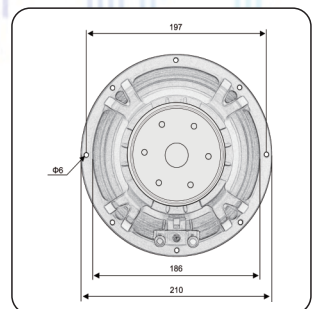
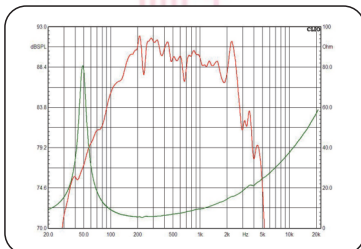
- 2" In-Out Voice Coil
- 250 Watts RMS Power
- Neodymium Magnet

SPECIFICATIONS

Nominal Diameter : 203/8 mm/in
Nominal Impedance : 8 Ω
Power Handling : 250 W
Sensitivity (1W/1m) : 94.6 dB
Frequency Range : 61 - 2200 Hz
Voice Coil Diameter : 51.5 mm
Voice Coil Material : CUR
Kind of Layer : Inside / Outside
Magnet Outer Diameter : 50 mm
Magnet Material : Neodymium

INSTALLATION INFORMATION

Overall Diameter : 210 mm
Baffle Cutout Diameter : 186 mm
Boit Circle Diameter : 197x8- Φ 6
Flange And Gasket Thickness : 9 mm
Overall Depth : 95 mm
Net Weight : 1.5 KG



GT10N-400



**Neodymium
Magnet**

- **2.5" In-Out Voice Coil**
- **400 Watts RMS Power**
- **Neodymium Magnet**

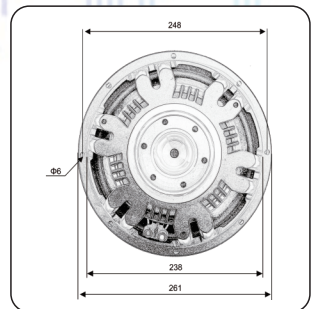
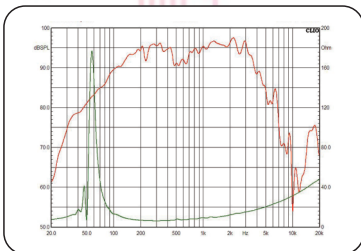


SPECIFICATIONS

Nominal Diameter : 254/10 mm/in
Nominal Impedance : 8 Ω
Power Handling : 400 W
Sensitivity (1W/1m) : 96.6 dB
Frequency Range : 57 - 3000 Hz
Voice Coil Diameter : 65.5 mm
Voice Coil Material : CCAW
Kind of Layer : Inside / Outside
Magnet Outer Diameter : 64 mm
Magnet Material : Neodymium

INSTALLATION INFORMATION

Overall Diameter : 261 mm
Baffle Cutout Diameter : 238 mm
Boit Circle Diameter : 248x8- Φ 6
Flange And Gasket Thickness : 13 mm
Overall Depth : 118 mm
Net Weight : 2.5 KG



GT12N-600



**Neodymium
Magnet**

- **3" In-Out Voice Coil**
- **600 Watts RMS Power**
- **Neodymium Magnet**

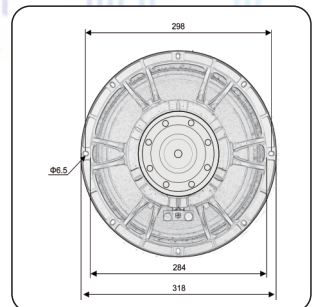
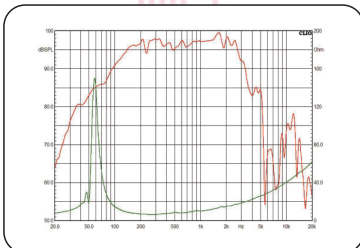


SPECIFICATIONS

Nominal Diameter : 305/12 mm/in
Nominal Impedance : 8 Ω
Power Handling : 600 W
Sensitivity (1W/1m) : 98.6 dB
Frequency Range : 58 - 3000 Hz
Voice Coil Diameter : 75.5 mm
Voice Coil Material : CCAW
Kind of Layer : Inside / Outside
Magnet Outer Diameter : 74 mm
Magnet Material : Neodymium

INSTALLATION INFORMATION

Overall Diameter : 318 mm
Baffle Cutout Diameter : 284 mm
Boit Circle Diameter : 298x8- Φ 6.5
Flange And Gasket Thickness : 14 mm
Overall Depth : 141 mm
Net Weight : 3.9 KG



GT15N-600



Neodymium
Magnet

- 3" In-Out Voice Coil
- 600 Watts RMS Power
- Neodymium Magnet

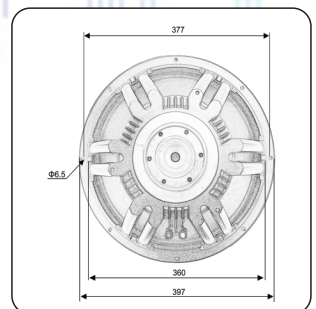
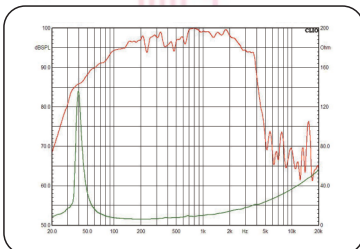


SPECIFICATIONS

Nominal Diameter : 381/15 mm/in
Nominal Impedance : 8 Ω
Power Handling : 600 W
Sensitivity (1W/1m) : 98.5 dB
Frequency Range : 39 - 3000 Hz
Voice Coil Diameter : 75.5 mm
Voice Coil Material : CCAW
Kind of Layer : Inside / Outside
Magnet Outer Diameter : 74 mm
Magnet Material : Neodymium

INSTALLATION INFORMATION

Overall Diameter : 397 mm
Baffle Cutout Diameter : 360 mm
Boit Circle Diameter : 377x8- Φ 6.5
Flange And Gasket Thickness : 14 mm
Overall Depth : 166 mm
Net Weight : 4.1 KG



GT15N-1200



**Neodymium
Magnet**

- **4" In-Out Voice Coil**
- **1200 Watts RMS Power**
- **Neodymium Magnet**

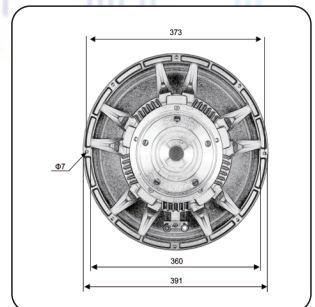
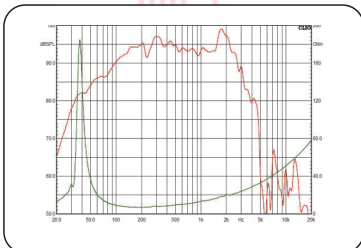


SPECIFICATIONS

Nominal Diameter : 381/15 mm/in
Nominal Impedance : 8 Ω
Power Handling : 1200 W
Sensitivity (1W/1m) : 97.1 dB
Frequency Range : 37 - 3000 Hz
Voice Coil Diameter : 99.5 mm
Voice Coil Material : EISV
Kind of Layer : Inside / Outside
Magnet Outer Diameter : 97 mm
Magnet Material : Neodymium

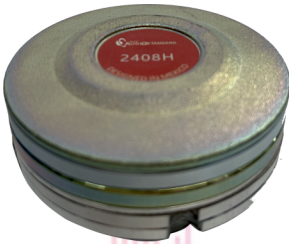
INSTALLATION INFORMATION

Overall Diameter : 391 mm
Baffle Cutout Diameter : 360 mm
Boit Circle Diameter : 373x8- Φ 7
Flange And Gasket Thickness : 18 mm
Overall Depth : 183 mm
Net Weight : 6.2 KG



HF DRIVER

AUDIOSTANDARD[®] P.Amplifier



Model No. : 2408H

Throat Exit Diameter : 1 Inch.

Power Rating : 60 W

Nominal Impedence : 8 Ω

Model No. : BC45A

Throat Exit Diameter : 1 Inch.

Power Rating : 50 W

Nominal Impedence : 8 Ω



Model No. : BC75A

Throat Exit Diameter : 1.4 Inch.

Power Rating : 100 W

Nowinal Impedence : 8 Ω



Model No. : BC100A

Throat Exit Diameter : 2 Inch.

Power Rating : 150 W

Nominal Impedence : 8 Ω



HF DRIVER



Model No. : GT-350S

Throat Exit Diameter : 1 Inch.

Power Rating : 35 W (AES)

Nominal Impedance : 8 Ω



Model No. : GT-450S

Throat Exit Diameter : 1 Inch.

Power Rating : 60 W (AES)

Nominal Impedance : 8 Ω

Model No. : GT-518S

Throat Exit Diameter : 1 Inch.

Power Rating : 80 W (AES)

Nominal Impedance : 8 Ω



HF DRIVER



Model No. : GT-750

Throat Exit Diameter : 2 Inch.

Power Rating : 110 W (AES)

Nominal Impedence : 8 Ω

Model No. : GT-750AL

Throat Exit Diameter : 2 Inch.

Power Rating : 110 W (AES)

Nominal Impedence : 8 Ω



Model No. : 750 Mark 2

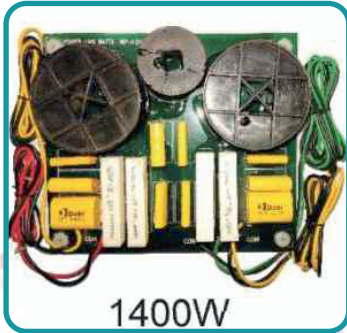
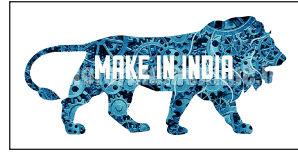
Throat Exit Diameter : 2 Inch.

Power Rating : 110 W (AES)

Nominal Impedence : 8 Ω



INDIAN CROSSOVER NETWORK



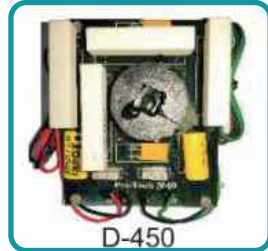
1400W

1400W - for 15' 600W-1000Wx2+100W HF



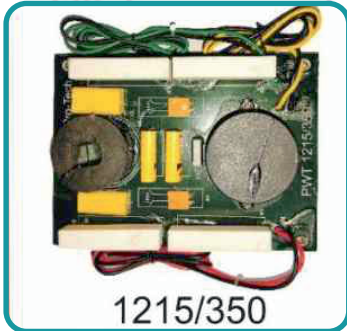
D-26

D26 - for Only D26 HF



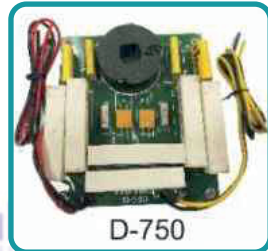
D-450

D450 - for Only 350, 450, 518 HF



1215/350

1215|350 - for 15' 400Wx1 60W HF



D-750

D750 - for Only 750, D72 HF



1215/450

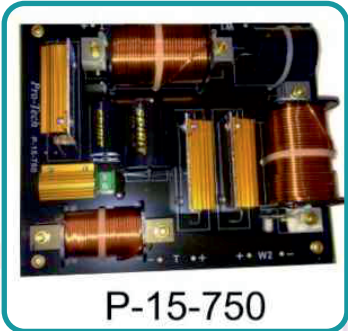
1215|450 - for 15' 400Wx2 60W HF



800+750

800+750 for 15'+800Wx1+1 100W HF

IMPORTED NETWORK



P-15-750

P15-750 - for 15' 600W-1000Wx2+100W HF



P-800-750.

800-750 - for 15' 800W-1000Wx1+100W HF



P-450

P450 - for Only 350 HF, 450 HF, & 518 HF



PA-915

PA 915 - for Monitor 600Wx1+1 750 HF (w Wstle Cut)



P-15-450

P15-450 - for 15' 300-400Wx2+1 60W HF



P-750

P-750 - for Only 750 HF



PA-70T

PA-70T for Only D99HF & D72 HF

DIAPHRAGMS



TRUE DIVERSITY WIRELESS MICROPHONE

UR-2300



UHF

Receiver specification

| | |
|----------------------------|----------------|
| Antenna jack | TNC 50Ω |
| Rated power | 3W |
| S/Nt | >103dB(1KHz-A) |
| Mirror frequency rejection | >110dB |
| Spurious Signals | >90dB |
| Sensitivity | -105dBm |
| Channels | dual channels |
| Power supply | 12V DC |

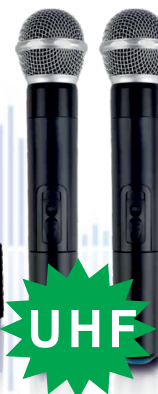
System specifications

| | |
|-----------------------|-------------------------------------|
| Frequency Range | UHF450~900MHz |
| Dynamic range | >105dB |
| T.H.D | < 0.5% |
| Frequency response | 40HZ~18KHZ |
| Output plug | XLR balance and 1/4' unbalance plug |
| Output voltage | 0~500mV |
| Working distance | About 60 meter |
| Operation temperature | -10°C~+50°C |

Transmitters specification

| | |
|--------------------------|--------------------------------|
| RF output power | ≤10mV |
| Modulation mode | RF |
| Max modulation frequency | ±48KHz |
| Power Supply | Two AA alkaline batteries No.5 |
| Operating time | 8 hours |

U-6600



UHF

Receiver specification

| | |
|----------------------------|----------------|
| Antenna jack | TNC 50Ω |
| Rated power | 3W |
| S/Nt | >103dB(1KHz-A) |
| Mirror frequency rejection | >110dB |
| Spurious Signals | >90dB |
| Sensitivity | -105dBm |
| Channels | dual channels |
| Power supply | 12V DC |

System specifications

| | |
|-----------------------|-------------------------------------|
| Frequency Range | UHF450~900MHz |
| Dynamic range | > 105dB |
| T.H.D | < 0.5% |
| Frequency response | 40HZ~18KHZ |
| Output plug | XLR balance and 1/4' unbalance plug |
| Output voltage | 0~500mV |
| Working distance | About 60 meter |
| Operation temperature | -10°C~+50°C |

Transmitters specification

| | |
|--------------------------|--------------------------------|
| RF output power | ≤10mV |
| Modulation mode | RF |
| Max modulation frequency | ±48KHz |
| Power Supply | Two AA alkaline batteries No.5 |
| Operating time | 8 hours |

TRUE DIVERSITY WIRELESS MICROPHONE

UR-7000



System specifications

| | |
|-----------------------------|--------------------|
| Modulation Mode | Widebank FM |
| Frequency Range | 740-790MHZ |
| Channel number | 200 channel preset |
| Frequency stability | ±0.005% |
| Dynamic range | 100dB |
| Maximum deviation | ±48KHZ |
| Audio frequency response | 40HZ-18KHZ(±3dB) |
| Signal-to-noise ratio | 105dB |
| Distortion | ≤0.3% |
| Adjacent channel inhibition | ≥70dB |
| Working distance | About 100 meter |

Receiver specification

| | |
|----------------------|----------------------------------|
| Receive mode | Receive automatic choose |
| Oscillation way | PLL Synthesized |
| Antenna input | BNC socket(50 Ω) |
| Cascade output | BNC socket(50 Ω), Gain: 0dBm±2dB |
| Middle Frequency | 110 MHz, 10.7MHZ |
| Sensitivity | 12 dBuV (80dB/S/N) |
| Spurious Signals | ≥75dB |
| Maximum output level | +10dBV |
| Power supply | 12V DC |
| working current | ≤ 500mA |

Transmitters specification

| | |
|-------------------|---|
| Antenna | Hand-held microphone built-in spiral antenna, body pack by a quarter wave transmitter preflexible bullwhip shaped antenna |
| Rf output power | High power: 30mW,Low power: 3mW |
| Sound pickup head | Moving coil type |
| Spurious Signals | -60dB |
| Power Supply | Two AA alkaline batteries no. 5 |
| Operating time | High power:6 hours;Low power: 10 hours |

UR-3200

Receiver specification

| | |
|----------------------|----------------------------------|
| Receive mode | Receive automatic choose |
| Oscillation way | PLL Synthesized |
| Antenna input | BNC socket(50 Ω) |
| Cascade output | BNC socket(50 Ω), Gain: 0dBm±2dB |
| Middle Frequency | 110 MHz, 10.7MHZ |
| Sensitivity | 12 dBuV (80dB/S/N) |
| Spurious Signals | ≥75dB |
| Maximum output level | +10dBV |
| Power supply | 12V DC |
| working current | ≤ 500mA |

System specifications

| | |
|-----------------------------|---|
| Modulation Mode | Widebank FM |
| Frequency Range | 740-790MHZ |
| Channel number | 200 channel preset |
| Frequency stability | ±0.005% |
| Dynamic range | 100dB |
| Maximum deviation | ±48KHZ |
| Audio frequency response | 40HZ-18KHZ(±3dB) |
| Signal-to-noise ratio | 105dB |
| Distortion | ≤0.3% |
| Adjacent channel inhibition | ≥70dB |
| Working distance | About 120 meter (with your requirement canbe reach 300 meter). |



Transmitters specification

| | |
|-------------------|---|
| Antenna | Hand-held microphone built-in spiral antenna, body pack by a quarter wave transmitter preflexible bullwhip shaped antenna |
| Rf output power | High power: 30mW,Low power: 3mW |
| Sound pickup head | Moving coil type |
| Spurious Signals | -60dB |
| Power Supply | Two AA alkaline batteries no. 5 |
| Operating time | High power:6 hours;Low power: 10 hours |

TRUE DIVERSITY WIRELESS MICROPHONE



UR-3030

System specifications

| | |
|-----------------------------|--------------------|
| Modulation Mode | Wideband FM |
| Frequency Range | 610-670MHZ |
| Channel number | 200 channel preset |
| Frequency stability | ±0.005% |
| Dynamic range | 100dB |
| Maximum deviation | ±48KHZ |
| Audio frequency response | 40HZ~18KHZ(±3dB) |
| Signal-to-noise ratio | 105dB |
| Distortion | ≤0.3% |
| Adjacent channel inhibition | ≥70dB |
| Working distance | About 100 meter |



TRUE DIVERSITY WIRELESS MICROPHONE

KP-3900



UHF

System specifications

| | |
|-----------------------------|--|
| Modulation Mode | Widebank FM |
| Frequency Range | 740-790MHZ |
| Channel number | 200 preset channels,update interval 250KHz |
| Frequency stability | ±0.005% |
| Dynamic range | 100dB |
| Maximum deviation | ±48KHZ |
| Audio frequency response | 40HZ-18KHZ(±3dB) |
| Signal-to-noise ratio | 105dB |
| Distortion | ≤0.3% |
| Adjacent channel inhibition | ≥70dB |
| Working distance | About 100 meter |

Receiver specification

| | |
|----------------------|--------------------------|
| Receive mode | Receive automatic choose |
| Oscillation way | PLL Synthesized |
| Antenna input | BNC socket/(50 Ω) |
| Middle Frequency | 110 MHz, 10.7MHZ |
| Sensitivity | 12 dBuV (80dB/BS/N) |
| Spurious Signals | ≥75dB |
| Maximum output level | +10dBV |
| Power supply | 12V DC |
| working current | ≤ 500mA |



KP-3900

UHF

Receiver specification

| | |
|----------------------|-----------------------------------|
| Receive mode | Receive automatic choose |
| Oscillation way | PLL Synthesized |
| Antenna input | BNC socket/(50 Ω) |
| Cascade output | BNC socket/(50 Ω), Gain: 0dBm±2dB |
| Middle Frequency | 110 MHz, 10.7MHZ |
| Sensitivity | 12 dBuV (80dB/BS/N) |
| Spurious Signals | ≥75dB |
| Maximum output level | +10dBV |
| Power supply | 12V DC |
| working current | ≤ 500mA |

System specifications

| | |
|-----------------------------|--------------------|
| Modulation Mode | Widebank FM |
| Frequency Range | 740-790MHZ |
| Channel number | 200 channel preset |
| Frequency stability | ±0.005% |
| Dynamic range | 100dB |
| Maximum deviation | ±48KHZ |
| Audio frequency response | 40HZ-18KHZ(±3dB) |
| Signal-to-noise ratio | 105dB |
| Distortion | ≤0.3% |
| Adjacent channel inhibition | ≥70dB |
| Working distance | About 100 meter |

Transmitters specification

| | |
|-------------------|--|
| Antenna | Hand-held microphone built-in spiral antenna, body pack by a quarter wave transmitter prehensile bullwhip shaped antenna |
| Rf output power | High power: 30mW,Low power: 3mW |
| Sound pickup head | Moving coil type |
| Spurious Signals | -60dB |
| Power Supply | Two AA alkaline batteries no. 5 |
| Operating time | High power:6 hours;Low power: 10 hours |

DJ-E50

Case specification: standard 1U
 Case material: metal panel
 Frequency range: UHF500~950MHz
 Frequency interval: 25MHz
 Preset Channel: 40 channels separately set 4 groups
 Transmit output power: 100mW(50 \downarrow)
 AF input: XLR, Å 6.3mm jack
 Earphone output: Å 6.3mm stereophonic socket
 Earphone load impedance: $\geq 16\Omega$
 Current consumption: DC 12V/250mA
 Antenna socket: TNC socket (50 \downarrow)

**Wireless
In Ear
Monitor**



UHF

Oscillation mode: PLL synthesized
 Frequency range: UHF500~950MHz
 Frequency interval: 25MHz
 Preset Channel: 40 channels separately set 4 groups
 Operate mode: manual adjust
 Receiving mode: single tuning
 Frequency response: 80Hz~15KHz ± 3 dB
 Output power (32 \downarrow): 2X35mW@1KHZ
 Earphone load impedance: $\geq 16\Omega$
 Output socket: Å 3.5mm stereo earphone socket

GO-23



Instrument Microphone (Drum)
Wired Microphone

Type: Dynamic
 Polar Pattern: Super-cardioid
 Impedance: 600 Ω
 Sensitivity: -72 \pm 3dBV/ μ bar
 Frequency Response: 50Hz~15,000Hz
 Holder Included: 1pc
 Dimension (L x W x H): $\phi 40 \times 75.3 \times 93$ mm
 Weight (without cable): 199g



GO-24

Instrument Microphone (Drum)
Wired Microphone

Type: Dynamic
 Polar Pattern: Bi-directional
 Impedance: 300 Ω
 Sensitivity: -76 \pm 3dBV/ μ bar
 Frequency Response: 50Hz~10,000Hz
 Cable: $\phi 5.5$ mm x 4.5m, XLR to XLR
 Holder Included: 1pc
 Dimension (L x W x H): $\phi 50.5 \times 113 \times 80.5$ mm
 Weight (without cable): 279g

GO-25



Instrument Microphone (Cymbal)
Wired Microphone

Type: Condenser
 Polar Pattern: Cardioid
 Impedance: 2.2K Ω
 Sensitivity: -42 \pm 3dBV/Pa
 Frequency Response: 50Hz~15,000Hz
 Power Supply: 48V Phantom power
 Dimension: $\phi 21.5 \times 90.5$ mm
 Weight: 81g



**7
Mic
Drum kit**

GODK-7

PROFESSIONAL LINE MIXER

★ 16 Channel

- Max 10 Mic /16 Line Input
- 4 Aux, 4 Group High Grade Effects
- With 24 Programmes
- Inbuilt DSP & Equalizer
- USB & Recording
- Phantom Power On Each Channel



★ 20 Channel

- Max 14 Mic / 20 Line Input
- 4 Aux, 4 Group
- High Grade Effects
With 24 Programmes
- Inbuilt DSP & Equalizer
- USB & Recording
- Phantom Power On Each Channel

**IMPORTED DJ
MIXER**

**DJS
DDJ3BT**



**gemi
PS3i**



**Pro-Tech
Indian Mixer**

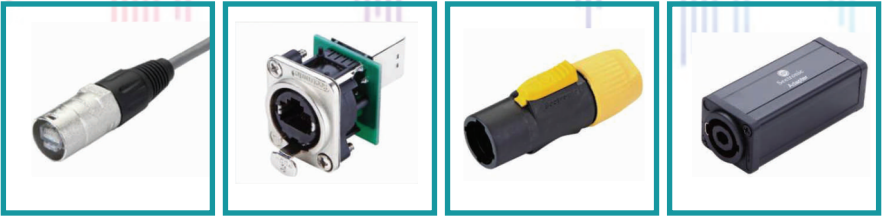
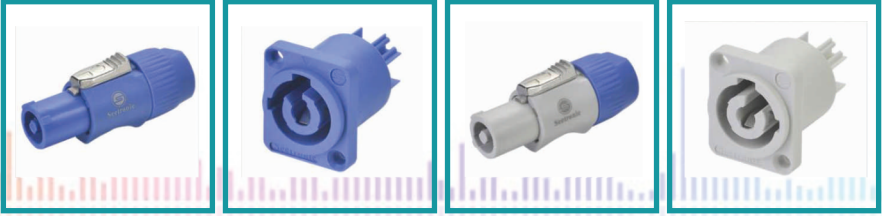


**AUDIOSTANDARD
Crossover**



**TAURUS
Crossover**







Model No. : Compact 6.4

Power Rating : 60 W

*Impedence : 8 ohms & 100V/
30W/15W/7.5W*

Cover Material : Plastic body

Model No. : PT 8

Power Rating : 150 W RMS

LF Driver : 1X8" 150 W Speker

HF Driver : 1X1" HF

Cover Material : Wooden body



Model No. : GT932

Power Rating : 600 W

LF Driver : 1X12" 600 W Speker

HF Driver : 3X1.5" HF

Cover Material : Wooden body



X7 | Series



SINCE 1991



X7-12A (ACTIVE)

General Specifications

| | |
|--------------------|------------------------------------|
| Type | Active Cabinet |
| Woofer Size | 12" |
| Woofer Voice Coil | 2" (51.3mm) |
| HF Size | 1" |
| HF Voice Coil | 1" |
| Cabinet design | Plastic |
| Handles | 1 Top |
| Pole Mount | 35mm Moulded In |
| Weight | 16 kg / 35.3 lb |
| Dimensions (HxWxD) | 618x390x344 mm / 24.3x15.4x13.5 in |

Acoustic Specifications

| | |
|--------------------------|------------|
| Sensitivity (1w/1m) (dB) | N/A |
| -3dB Response | 60Hz-16KHz |
| -10dB Response | 55Hz-20KHz |
| Power Handling (Watt) | N/A |
| Maximum Continuous SPL | 116dB |
| Maximum Peak SPL | 119dB |
| Dispersion (HxV) | 90x60 |

Electrical Specifications

| | |
|----------------------------|--|
| Impedance | N/A |
| Input | Mic / Line XLR |
| Thru | None |
| Output (Available to User) | None |
| System Level Control | Gain Control (Combi Mic/Line) |
| Other Control | None |
| Power Output | 250w + 150w Peak |
| Amplifier Type | Class D with SMPS |
| Protection | Turn on delay; Short circuit protection; DC Voltage protection; Peak Voltage Limiter; Over Temp Protection |
| Indicators | Power On, Limiter Active |

X7-15A (ACTIVE)

General Specifications

| | |
|--------------------|------------------------------------|
| Type | Active Cabinet |
| Woofer Size | 15" |
| Woofer Voice Coil | 2" (51.3mm) |
| HF Size | 1" |
| HF Voice Coil | 1" |
| Cabinet design | Plastic |
| Handles | 1 Top 1 Side |
| Pole Mount | 35mm Moulded In |
| Weight | 19 kg / 41.9 lb |
| Dimensions (HxWxD) | 707x435x426 mm / 27.8x17.1x16.8 in |

Acoustic Specifications

| | |
|--------------------------|------------|
| Sensitivity (1w/1m) (dB) | N/A |
| -3dB Response | 55Hz-16KHz |
| -10dB Response | 50Hz-20KHz |
| Power Handling (Watt) | N/A |
| Maximum Continuous SPL | 117dB |
| Maximum Peak SPL | 120dB |
| Dispersion (HxV) | 90x60 |

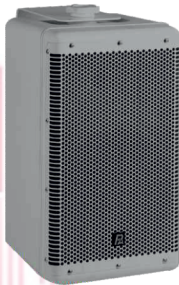
Electrical Specifications

| | |
|----------------------------|--|
| Impedance | N/A |
| Input | Mic / Line XLR |
| Thru | None |
| Output (Available to User) | None |
| System Level Control | Gain Control (Combi Mic/Line) |
| Other Control | None |
| Power Output | 250w + 150w Peak |
| Amplifier Type | Class D with SMPS |
| Protection | Turn on delay; Short circuit protection; DC Voltage protection; Peak Voltage Limiter; Over Temp Protection |
| Indicators | Power On, Limiter Active |





Weather Resistant Passive Speaker



VS-8F

General Specifications

| | |
|-------------------------|--|
| Type | Two Way Full Range Bass Reflex |
| Power Handling | 175 Watts |
| Nominal Impedance | Switchable Direct 8ohm/Hi-Z |
| Sensitivity | 93dB |
| Frequency Response | 60Hz-20kHz |
| Nominal Dispersion(HxV) | 90x60 |
| Dimension(HxWxD) | 422.1x237.1x250.5 mm / 16.6x9.3x9.9 in |
| Finish Colour | White / Grey |

Physical Information

| | |
|--------------------------|--|
| LF Component | 8" (206mm) Cone Speaker |
| HF Component | 1.2" (30mm) Titanium Diaphragm |
| Construction | High Impact Polypropylene |
| Grille | Powder Coated + Zinc Plated Steel Mesh |
| Connector | Barrier Strip + Selector Switch |
| Rigging/Fitting | Included U-Bracket |
| Standard Packing | 1 PC / Pack |
| Unit Weight | 12.6 kg / 27.8 lb |
| Shipping Weight | 14.6 kg / 32.2 lb |
| Packing Dimension(HxWxD) | 510x350x275 mm / 20.1x13.8x10.8 in |

General Specifications

| | |
|-------------------------|------------------------------------|
| Type | Two way Coaxial Full Range |
| Power Handling | 175 Watts |
| Nominal Impedance | Switchable Direct 8ohm/Hi-Z |
| Sensitivity | 93dB |
| Frequency Response | 60Hz-20kHz |
| Nominal Dispersion(HxV) | 90 Conical |
| Dimension(HxWxD) | 282x282x270 mm / 11.1x11.1x10.6 in |
| Finish Colour | White / Grey |

Physical Information

| | |
|--------------------------|--|
| LF Component | 8" (206mm) Carbon Fiber Cone Speaker |
| HF Component | 1.35" (34.4mm) Titanium Diaphragm |
| Construction | High Impact Polypropylene |
| Grille | Powder Coated + Zinc Plated Steel Mesh |
| Connector | Barrier Strip + Selector Switch |
| Rigging/Fitting | Included U-Bracket |
| Standard Packing | 1 PC / Pack |
| Unit Weight | 8 kg / 17.6 lb |
| Shipping Weight | 9.8 kg / 21.6 lb |
| Packing Dimension(HxWxD) | 365x325x315 mm / 14.4x12.8x12.4 in |



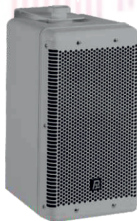
VS-8CX

General Specifications

| | |
|-------------------------|--|
| Type | Two Way Full Range Bass Reflex |
| Power Handling | 100 Watts |
| Nominal Impedance | Switchable Direct 8ohm/Hi-Z |
| Sensitivity | 90dB |
| Frequency Response | 75Hz-18kHz |
| Nominal Dispersion(HxV) | 90x60 |
| Dimension(HxWxD) | 372.1x194.1x230.5 mm / 14.7x7.6x9.1 in |
| Finish Colour | White / Grey |

Physical Information

| | |
|--------------------------|--|
| LF Component | 6.5" (165mm) Carbon Fiber Cone Speaker |
| HF Component | 1.2" (30mm) Silk Dome Tweeter |
| Construction | High Impact Polypropylene |
| Grille | Powder Coated + Zinc Plated Steel Mesh |
| Connector | Barrier Strip + Selector Switch |
| Rigging/Fitting | Included U-Bracket |
| Standard Packing | 1 PC / Pack |
| Unit Weight | 6.7 kg / 14.8 lb |
| Shipping Weight | 7 kg / 15.4 lb |
| Packing Dimension(HxWxD) | 470x310x230 mm / 18.5x12.2x9.1 in |



VS-6F

LEO 300 12 R



Input Voltage : 100-240v, 50/60hz

Lamp : 300 W

Life Span : Average 2000 Hrs.

Color Wheel : 14 Colors

Gobo Wheel : 17 Gobos

Prism : Built-in Double Prism,

A Variety of Effect Prism For Optional

Optical Lens : 3-in-1 High-precision

Optical Lens

Pan : 540° +16 Bit Fine

Tilt : 270° +16 Bit Fine

Channel : 16 Channel

Control Mode : DMX, Master-Slave,
Auto, Sound Activated, RDM



BLINK 380 17 R



Input Voltage : 100-240v, 50/60hz

Lamp : 380 W

Life Span : Average 2000 Hrs.

Color Wheel : 14 Colors

Gobo Wheel : 13 Gobos

Prism : Built-in Double Prism,
A Variety of Effect Prism For Optional

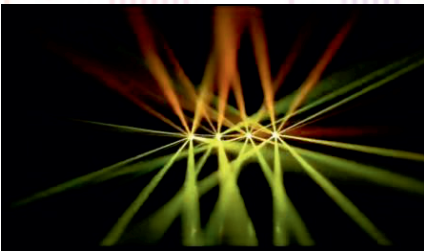
Optical Lens : 3-in-1 High-precision
Optical Lens

Pan : 540° +16 Bit Fine

Tilt : 270° +16 Bit Fine

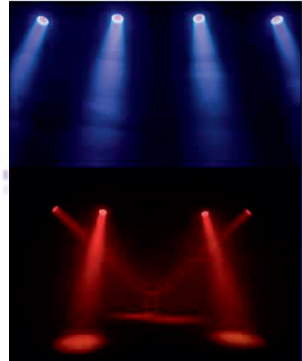
Channel : 16 Channel

Control Mode : DMX, Master-Slave,
Auto, Sound Activated, RDM





LED 19 pcs*15W 4 in1 Moving Head With Zoom



Technical Parameter

- **Input Voltage:** AC90-240V, 50/60Hz
- **Rated Power Consumption :** 350W
- **Led lighting Source:** 19 pieces 15W RGBW Quad LEDs
- **Control Mode:** DMX512, master/slave, Auto run, Sound Activated, RDM
- **Dimming:** 0-100% super soft linear dimming
- **Stroboscopic:** 0~25 times/sec, multiple stroboscopic effects
- **Channel Quantity:** 16chs/24chs for optional
- **Pan:** 540°+ 16bit fine
- **Tilt:** 270°+ 16bit fine
- **Display:** LCD liquid crystal display
- **Cooling system:** Heat sink+ noiseless fans cooling system
- **Working environment:** -15 degrees --40 degrees
- **Housing:** Flame-retardant engineering plastic Housing
- **IP Rating:** IP20
- **Product size:** 440*390*310 mm
- **Net weight:** 8 KG



4x50W COB LED Front Light

HOT



Technical Parameter

- **Input Voltage:** AC90V~245V, 50/60Hz
- **LED Lighting Source:** 2pcs 50W White + 2pcs 50W Warm COB LEDs
- **Rated Power :** 250W
- **LED lifespan:** 60000-100000 hours
- **Color rendering index:** CRI>=90(CRI for optional)
- **Channel:** 8ch
- **Color Temperature :** White light/Warm light
- **Control Mode:** DMX512, Master slave, Auto ,sound control
- **Dimmer:** 0~100% 16bit 4096 linear dimming
- **Strobe:** 1-10 times/second
- **Optical angle:** 25° .
- **Shell :** Cast aluminum
- **Waterproof Rate:** IP20 indoor use.
- **Light Dimension:** 29x29x35cm
- **Net Weight:** 2.5kg



LED 18pcs 10W 4 in 1 Waterproof Par Light

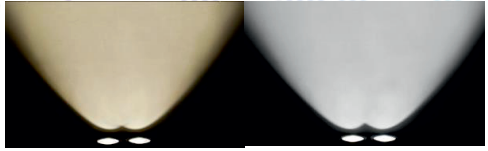
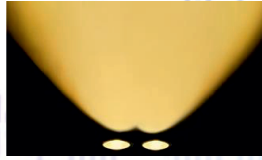


Technical Parameter

- **LED light source:** 18 10W RGBW 4 in 1 LEDs
- **LED lifespan:** 60,000-100,000 hours
- **Input Voltage:** AC100-240V, 50/60Hz
- **Rated Power:**170W
- **Optical lens:**25°
- **Dimmer:** 0-100% linear dimming system
- **Strobe:** 1-20HZ
- **Control Mode:** DMX512, Master-Slave, Sound and Auto run
- **Quantity of channels:**8
- **Control Mode:** Master-slave, auto run, DMX512
- **Shell :** Die-cast aluminum
- **IP65 outdoor**



200W LED COB 2 Eyes Blinder Light



Technical Parameter

- **Input Voltage** : AC110V~220V, 50/60Hz
- **LED Lighting Source** : 2*100W 2in 1 High brightness COB LEDs (White, Warm for optional)
- **Light color** : 3200-5600K
- **Rated Power** : 200W
- **LED lifespan**: 60,000-100,000 hours
- **Color rendering index**:>=90%
- **Channel**: 2/4/6/8ch
- **Control Mode**: DMX512, Master slave, Auto ,sound
- **Dimmer**: 0~100% 16bit 4096 linear dimming
- **Optical angle**: 60° .
- **Waterproof Rate**: IP20 indoor use
- **Heat dissipation method**: convective cooling through fan and heat sink.
- **Working environment temperature**: -25°-40° .



400W LED COB 4 Eyes Blinder Light



Technical Parameter

- **Input Voltage:** AC110V~220V, 50/60Hz
- **LED Lighting Source:** 4pcs*100W 2 in 1 COB LEDs
- **Light color :** 3200k-5600k
- **Illumination:** 960lux (5m)
- **Luminous flux:** 8624lm
- **Best projection distance:** 15-30m
- **Rated Power :** 400W
- **LED lifespan:** 60,000-100,000 hours
- **Color rendering index:** >=90%
- **Channel:** 2/6/12ch
- **Control Mode:** DMX512, Master slave, Auto ,sound
- **Dimmer:** 0~100% 16bit 4096 linear dimming
- **Optical angle:** 60°
- **Strobe:** 0-25 times/second
- **Waterproof Rate:** IP20 indoor use
- **Heat dissipation method:** convective cooling through fan and heat sink.
- **Light Dimension:** 36x36x24cm
- **Net Weight:** 8.5kg



AUDIO STANDARD
P. Amplifier



Scan Me
Download Our Catalogue

Pro-Tech Audio



Phone : +91 9582237669, 9319173443
E-mail : protechaudioaudio23@gmail.com
Web : www.protechaudio.in