

HF DRIVERS

IT850



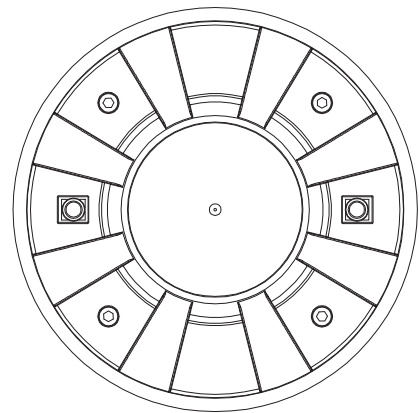
Specifications

General Specifications

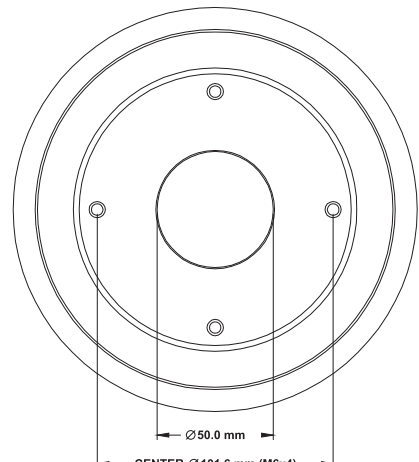
Power rating.....	100 W(AES)
Nominal impedance.....	8Ω
Sensitivity.....	109 dB
Frequency range.....	500-18000 Hz
Recommended min. crossover (12dB/oct).....	1000 Hz
Voice coil diameter.....	72.2 mm/ 3 in
Voice coil material.....	AL-R
Magnet type.....	Ferrite
Diaphragm and surround material	Titanium
Net Weight.....	4.7 kg/10.3 lb
Packing Dimension WxDxH.....	340 x 240 x 215 mm
Shipping Weight (3 Pcs).....	15.5 kg/34.2 lb

Features

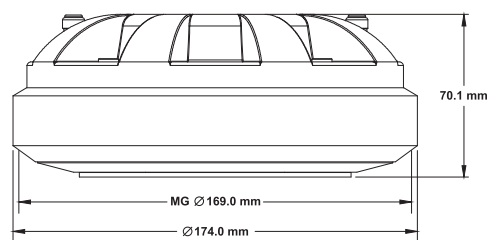
- 2" Exit Diameter
- 3" Diaphragm Diameter
- 100 Watts Power Handling
- Bolt on Mounting
- Ferrite Magnet



TOP VIEW



BOTTOM VIEW



FRONT VIEW

Frequency Response and Impedance Curves

